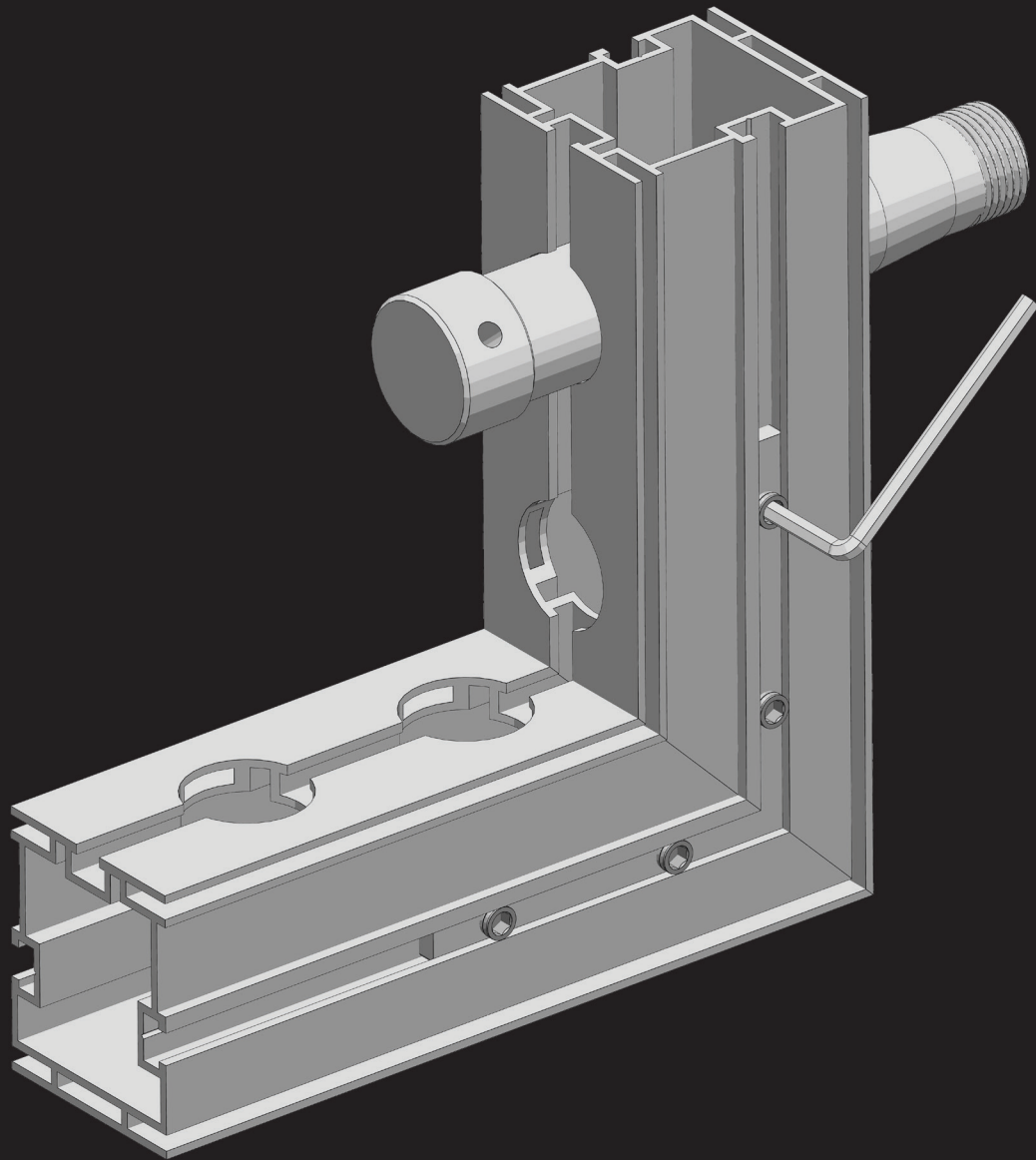


How to work with 55 Frames



- Assembly instructions
- Accessories
- 55-Frame-Door
- Fabric information

SYSTEM
STANDEX®

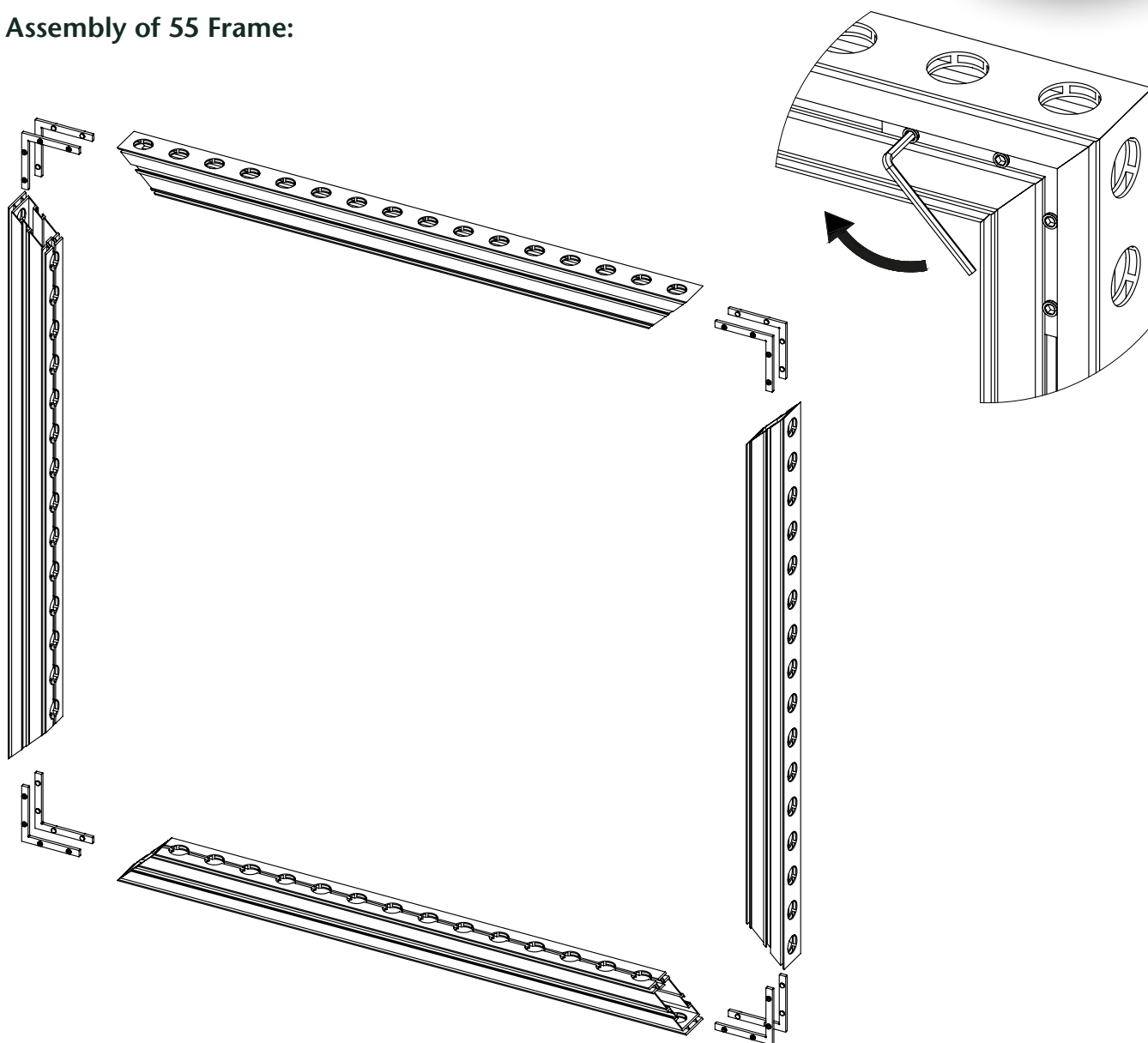
How to work with 55 Frames

Table of contents:

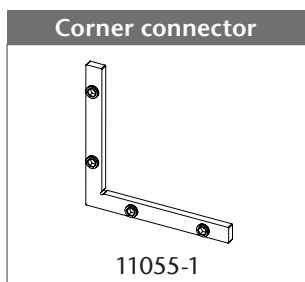
Assembly of 55 Frame.....	3
Connection of frames.....	4
Corner connection of frames.....	5
Connection of cornerprofile 55-4-Frame-profile.....	6
Connection of cover profile.....	7
TV Bracket installation.....	8
Installation of adjustable foot.....	9
Installation of steel base.....	10
Installation of spotlight.....	11
Connection of 55 Frames with 55-Frame-Door.....	12
Fixing of bracket and panel on frame.....	13
Fabric sizes.....	14-15
Example of construction with 55 Frames.....	16-18
55 Frames with LED Tiles.....	19

How to work with 55 Frames

Assembly of 55 Frame:



Accessories:



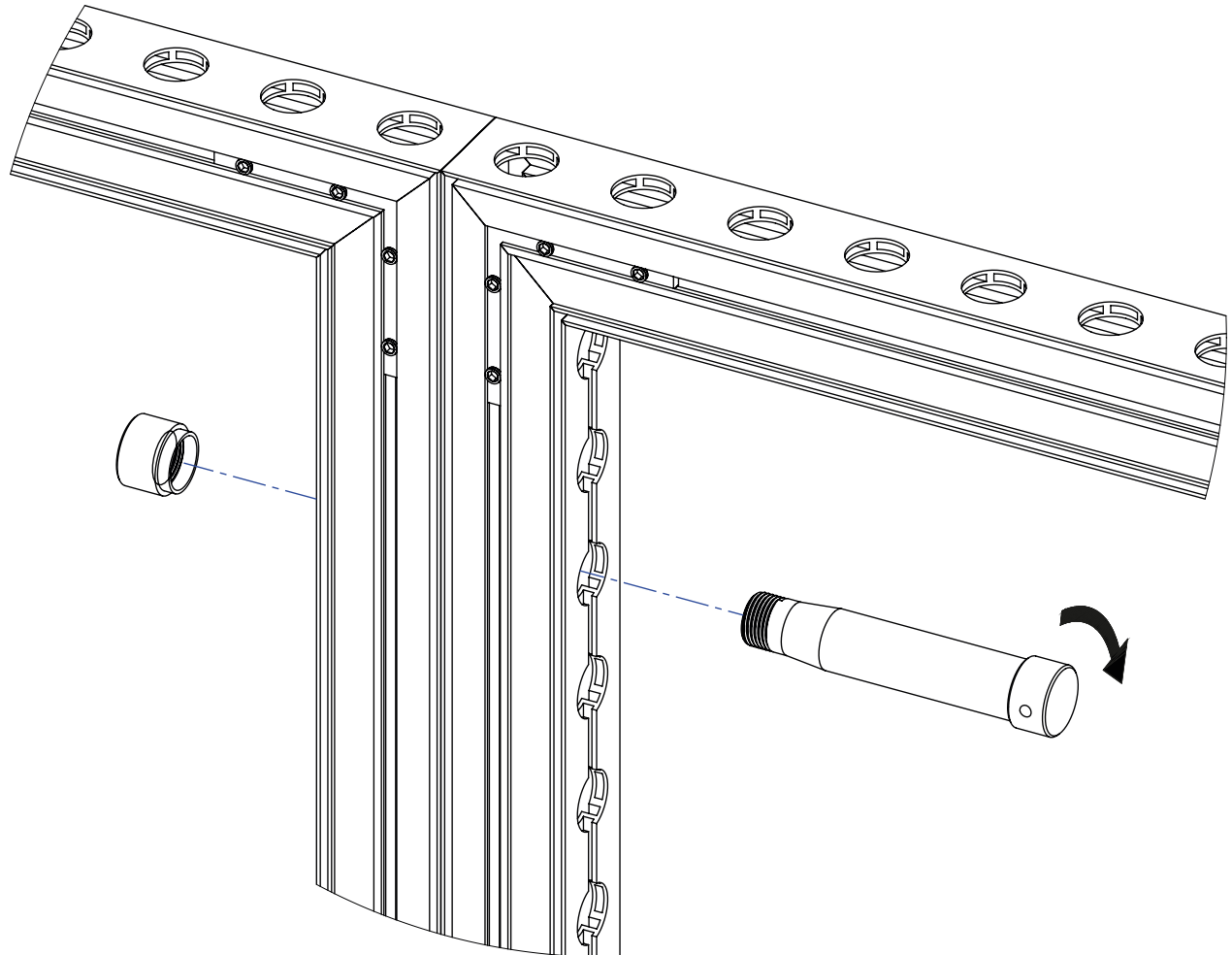
The frames are in stock in the following sizes:

- 496 x 496 mm
- 496 x 992 mm
- 496 x 1984 mm
- 496 x 2480 mm
- 992 x 992 mm
- 992 x 1984 mm
- 992 x 2480 mm

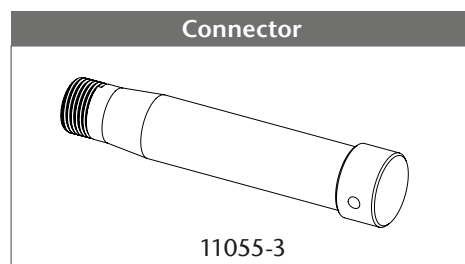
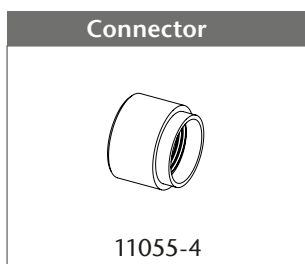
Please contact us for 55 frames in special dimensions.

How to work with 55 Frames

Connection of frames:

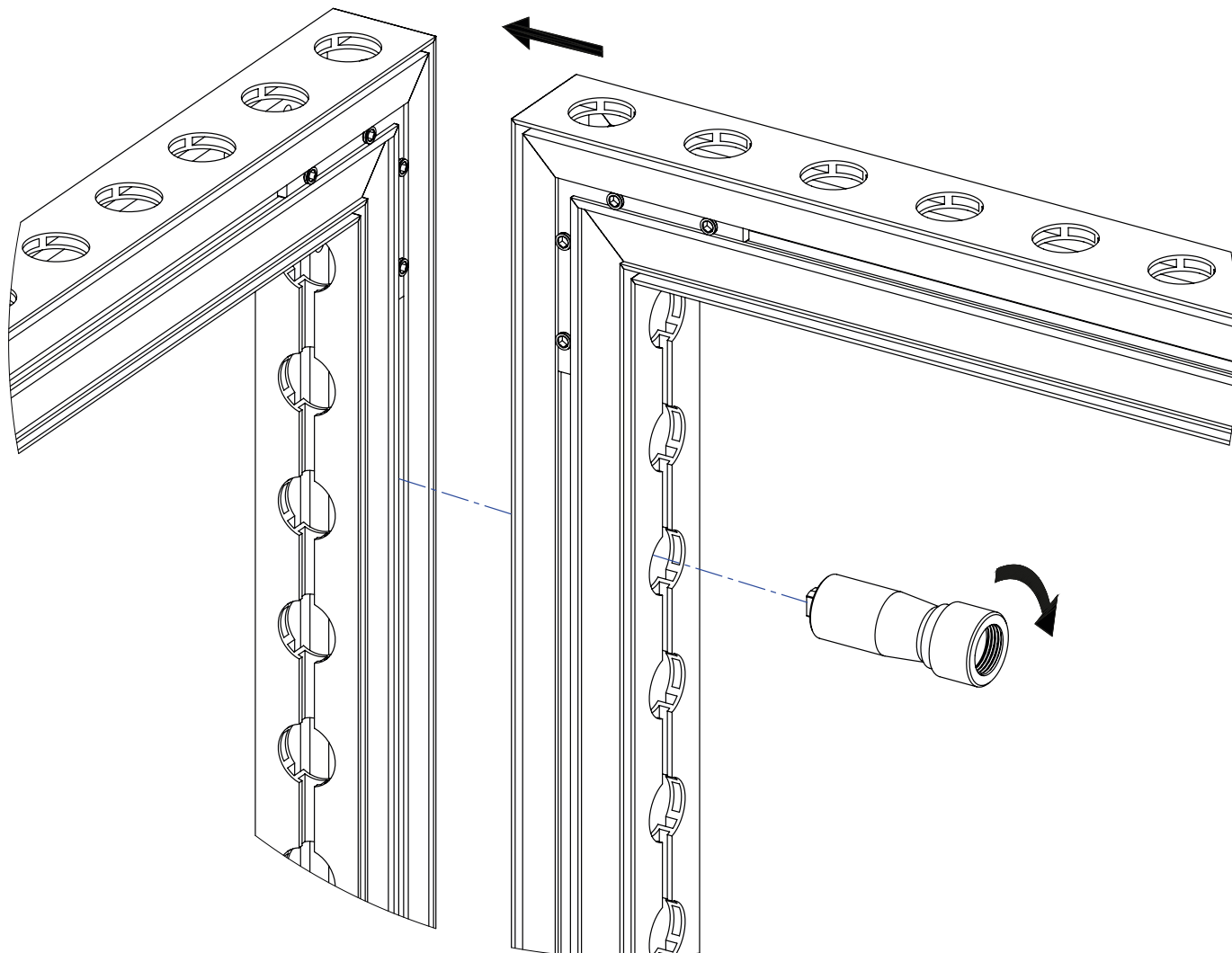


Accessories:



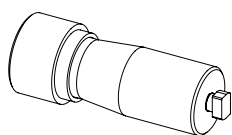
How to work with 55 Frames

Corner connection of frames:

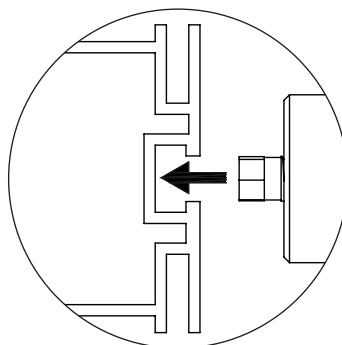


Accessories:

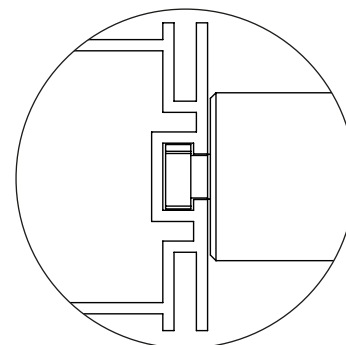
Connector



11055-2 included 11055-4



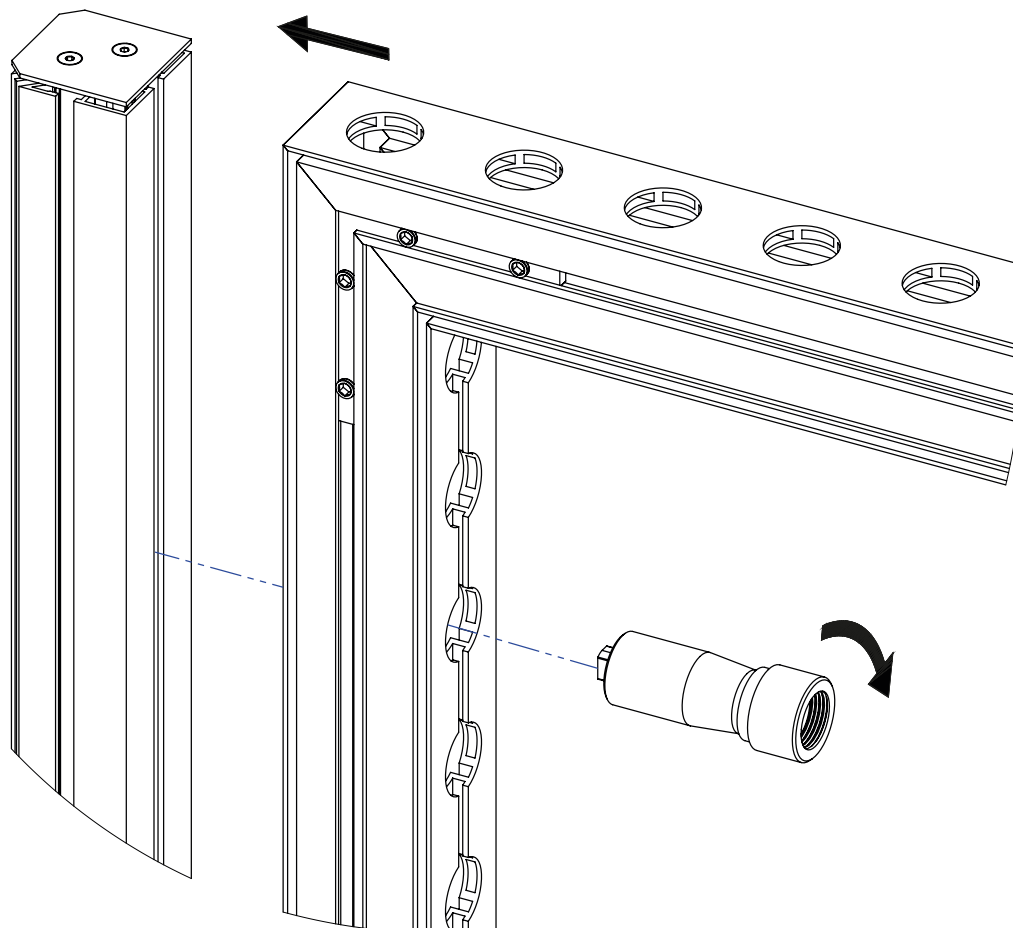
1. Make sure that the connector is inserted into the profile slot.



2. Turn the connector 90 degrees clockwise

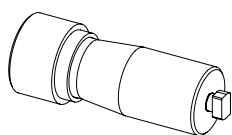
How to work with 55 Frames

Connection of cornerprofile 55-4 Frame-profile:

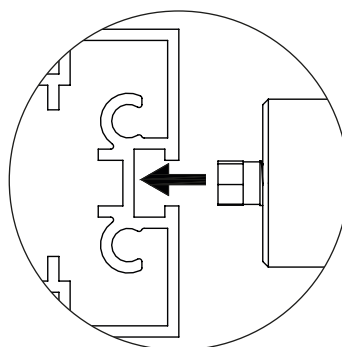


Accessories:

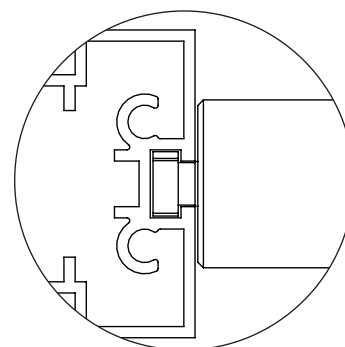
Connector



11055-2 included 11055-4



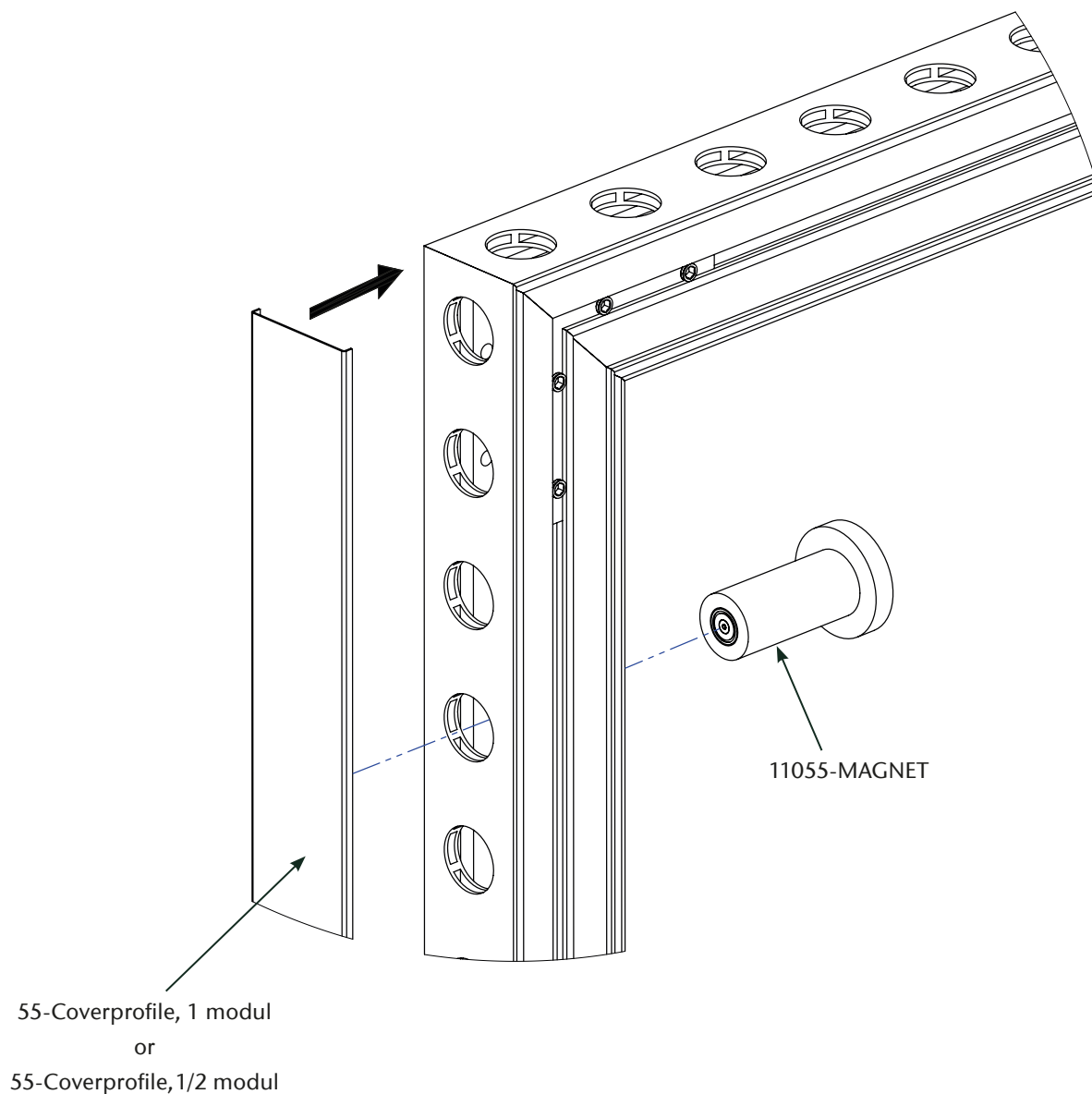
1. Make sure that the connector is inserted into the profile slot.



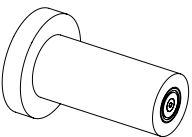
2. Turn the connector 90 degrees clockwise


How to work with 55 Frames

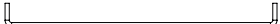
Connection of cover profile:



Accessories:

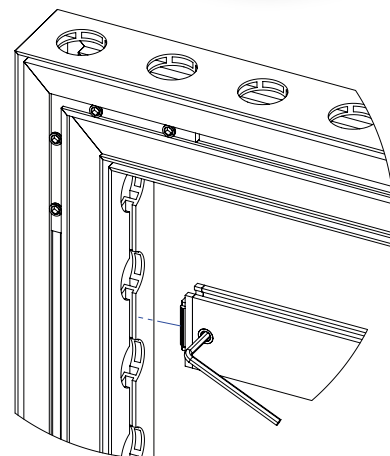
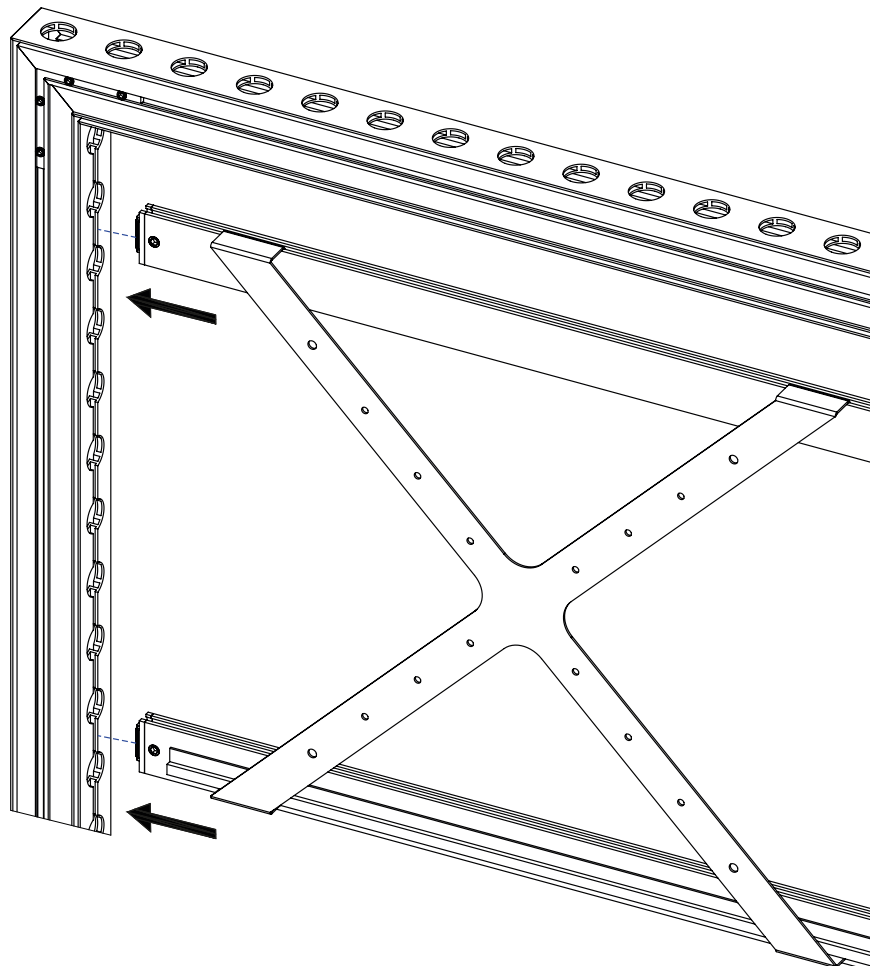
Connector

11055-MAGNET

Cover profile

55-Coverprofile, 1 modul Length 992 mm

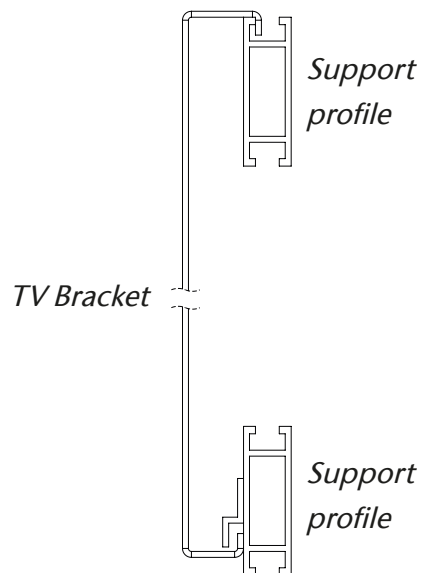
Cover profile

55-Coverprofile, 1/2 modul Length 496 mm

How to work with 55 Frames

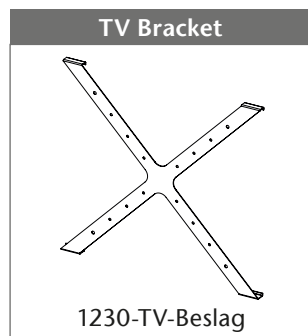
TV bracket installation:



** Make sure that the connector is attached in the profile slot and not in the frame holes!*

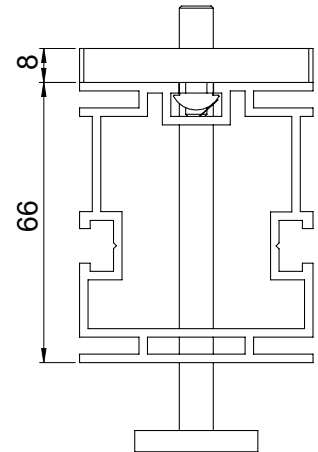
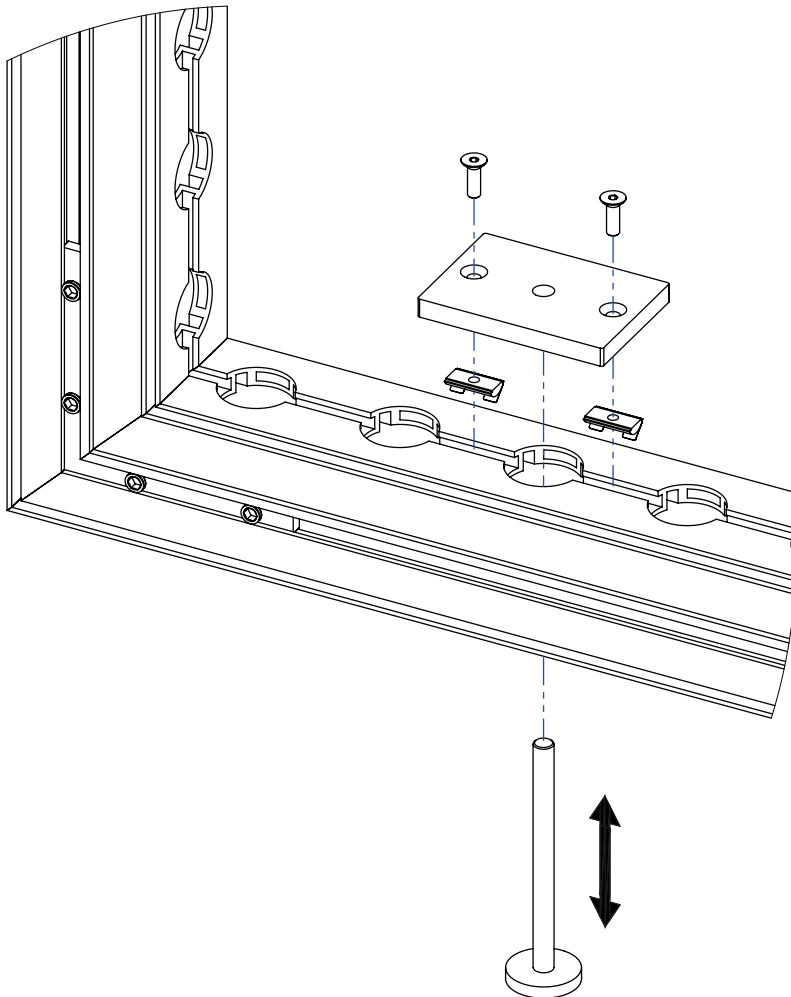


Accessories:

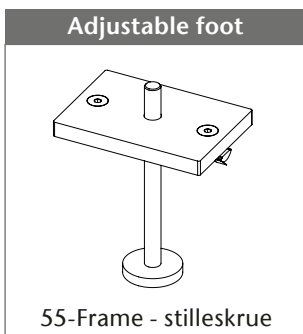


How to work with 55 Frames

Installation of adjustable foot:

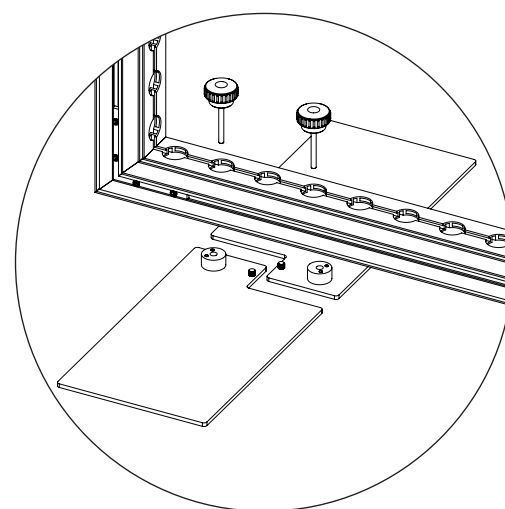
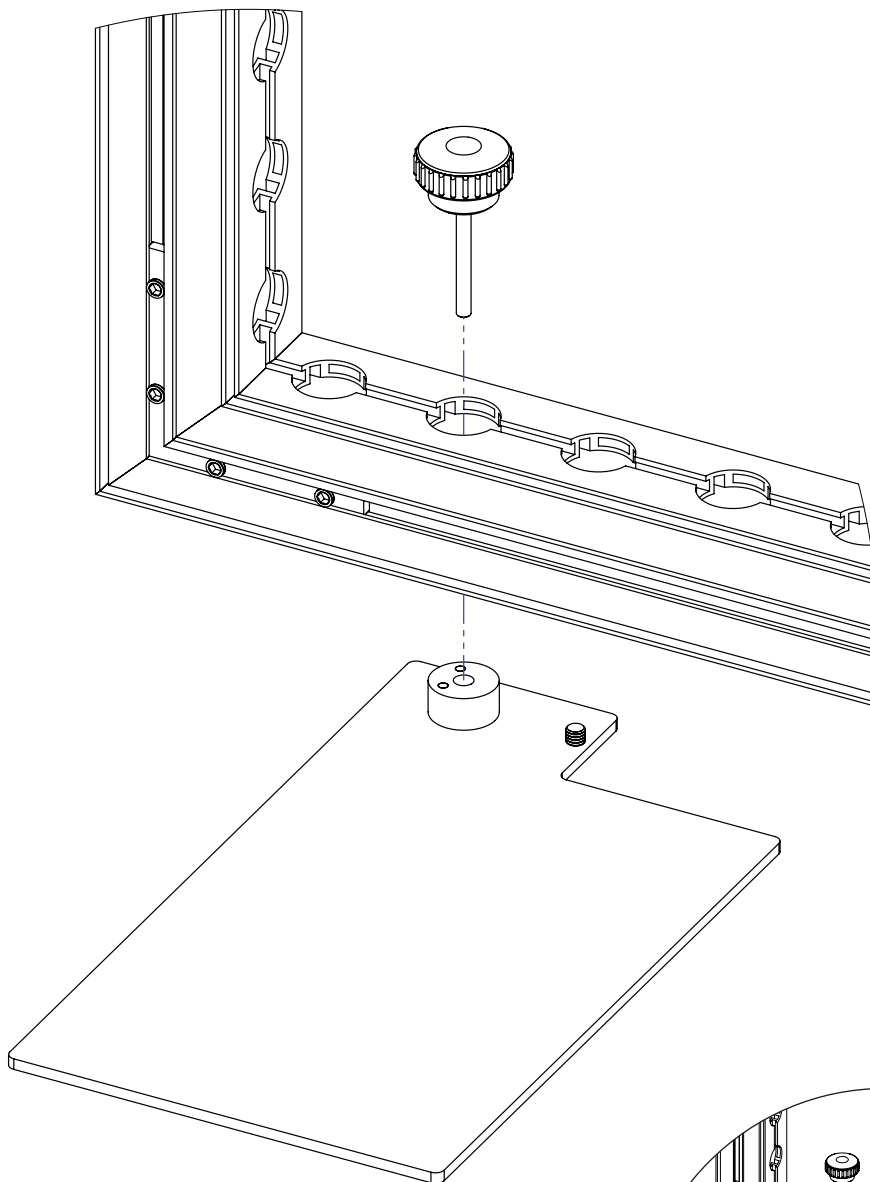


Accessories:

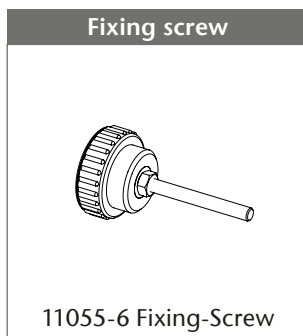
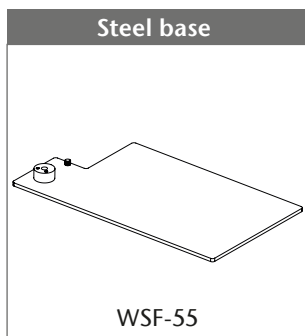


How to work with 55 Frames

Installation of steel base:



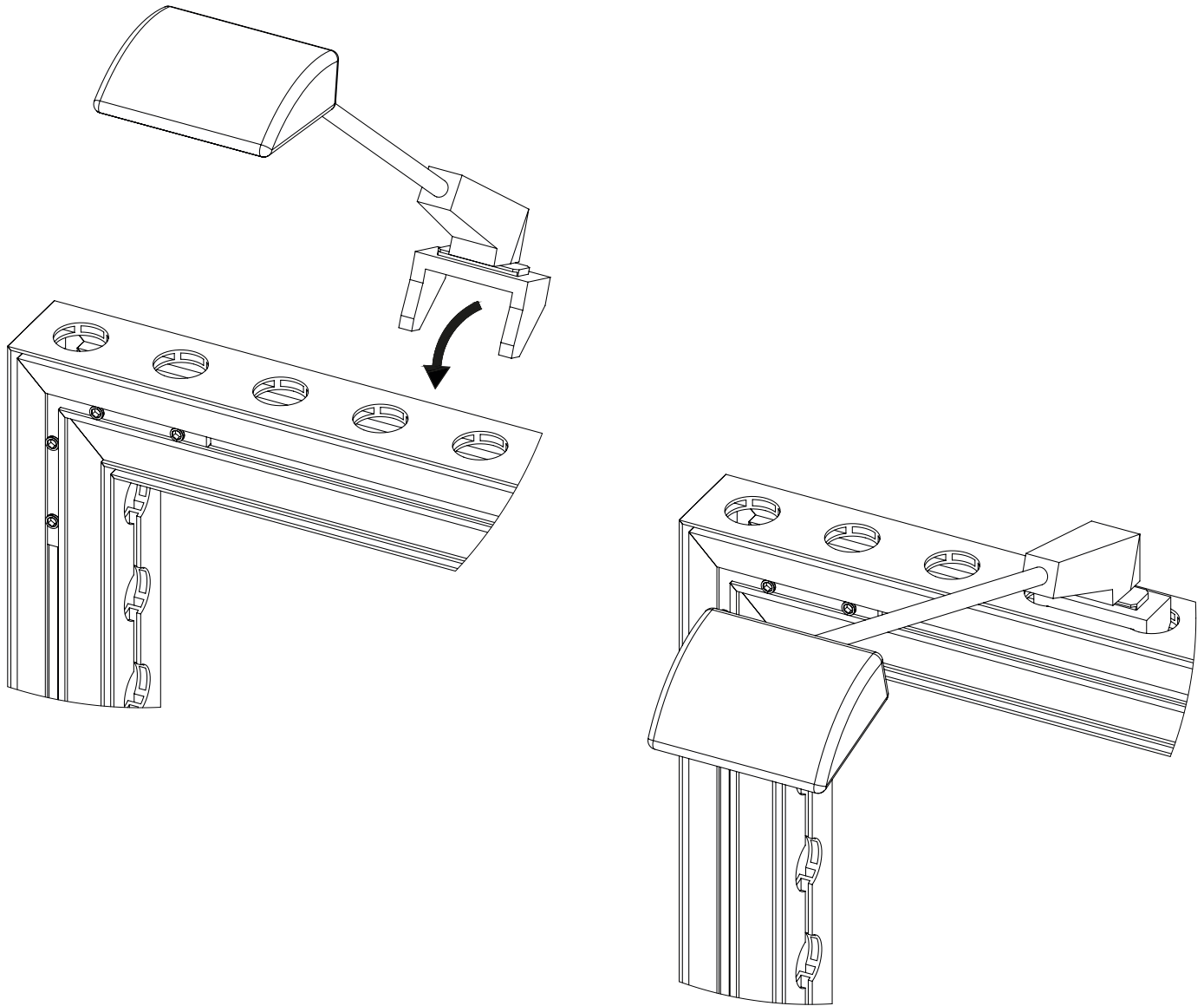
Accessories:



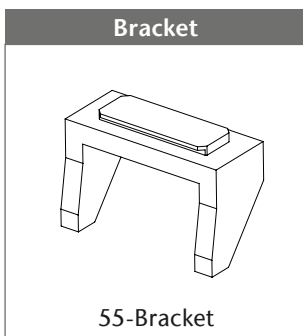
Tip! 2 Steel bases can be used together, as a double-sided base

How to work with 55 Frames

Installation of spotlight:

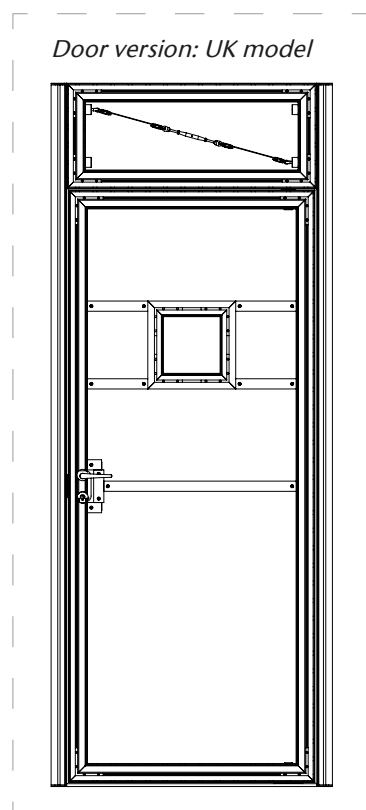
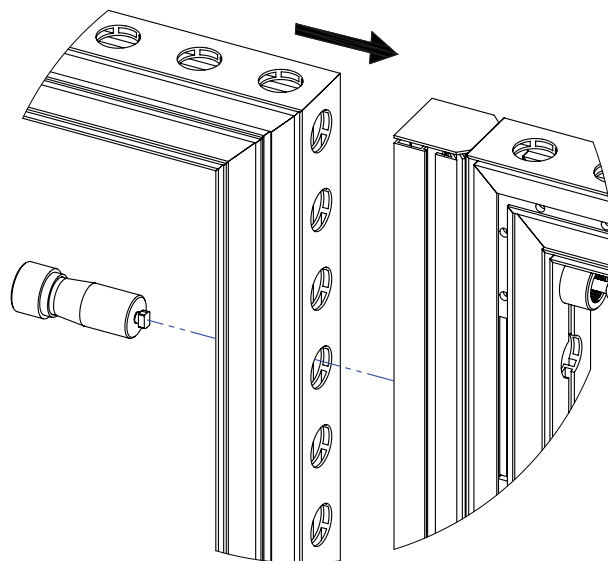
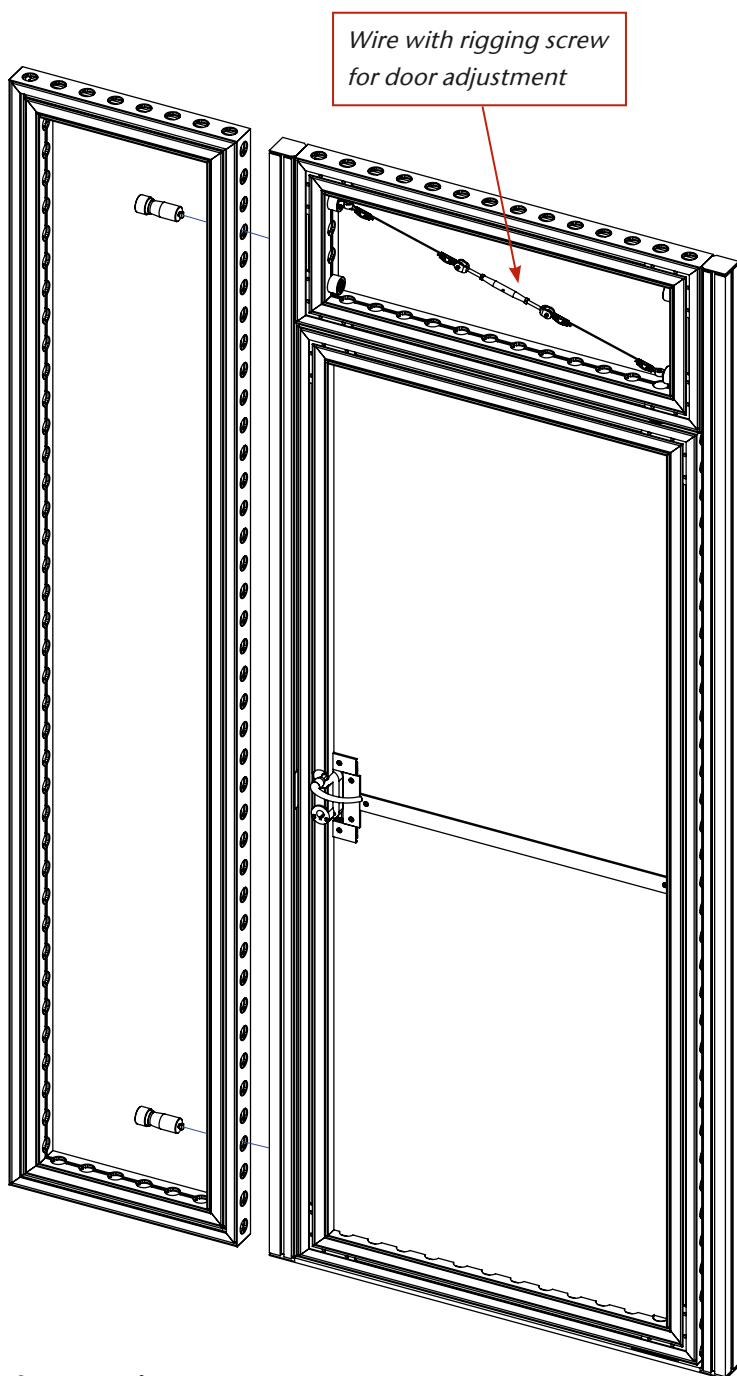


Accessories:

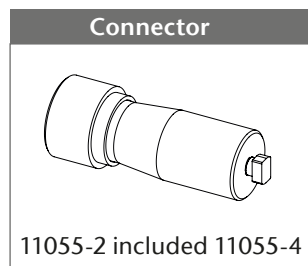


How to work with 55 Frames

Connection of 55 Frames with 55-Frame-Door:

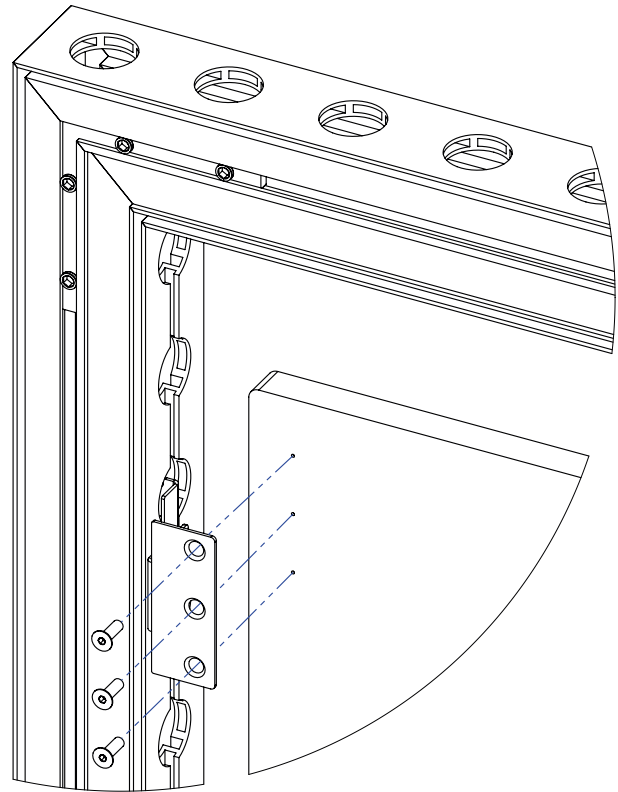
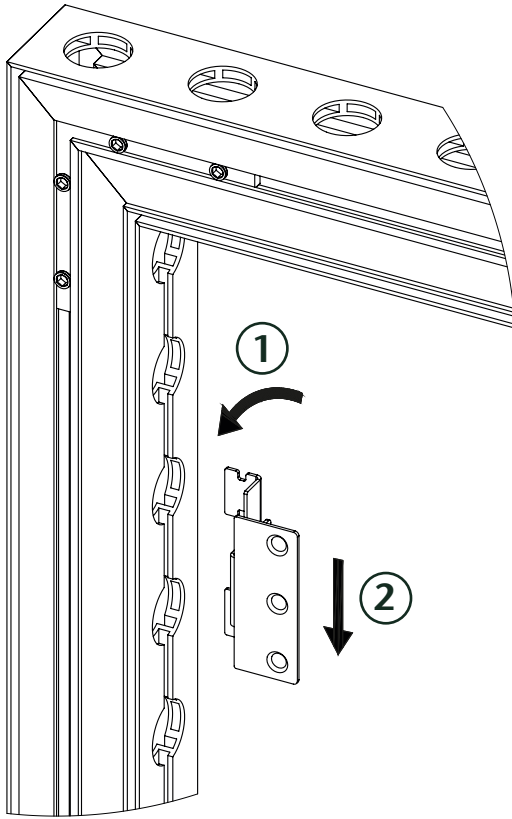


Accessories:

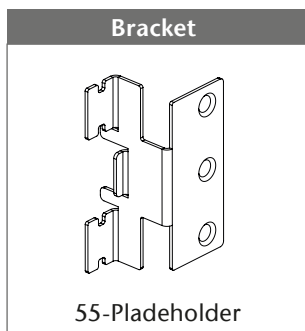


How to work with 55 Frames

Fixing of bracket and panel on frame:

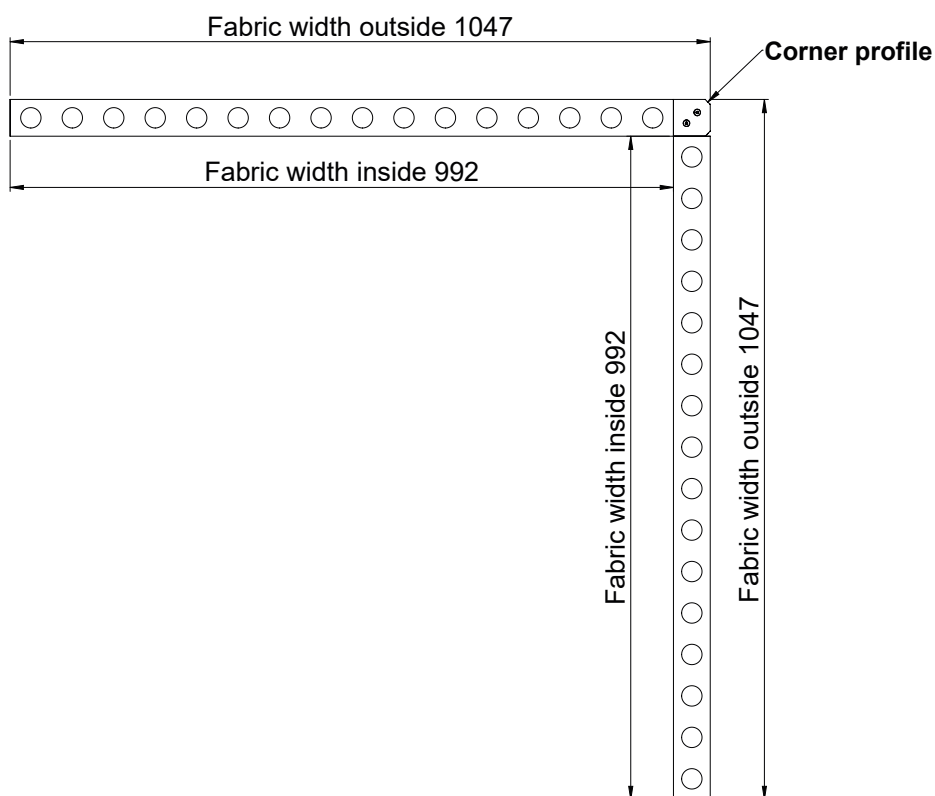
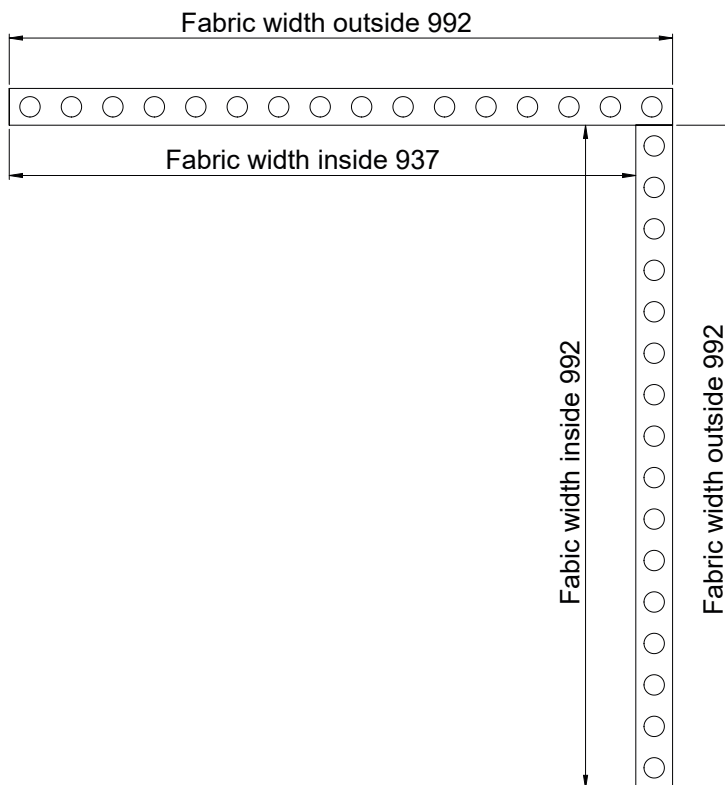


Accessories:



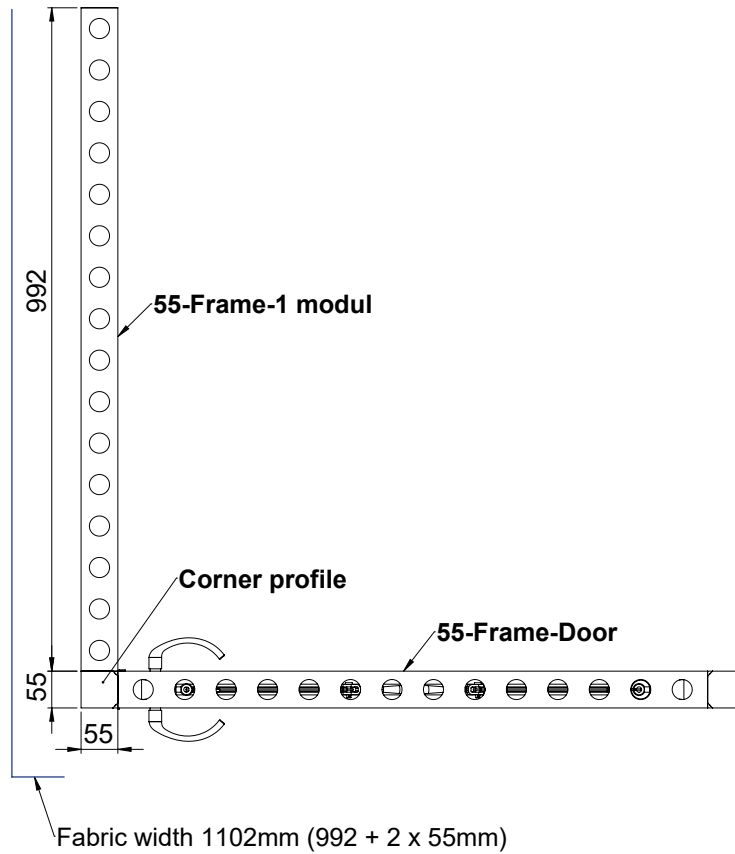
How to work with 55 Frames

Fabric sizes in corners:



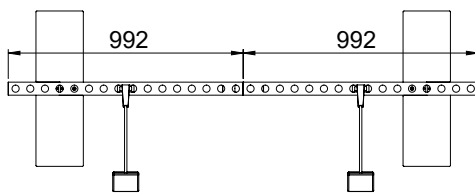
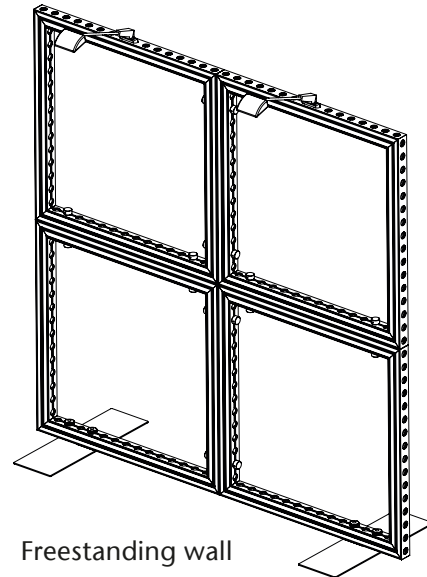
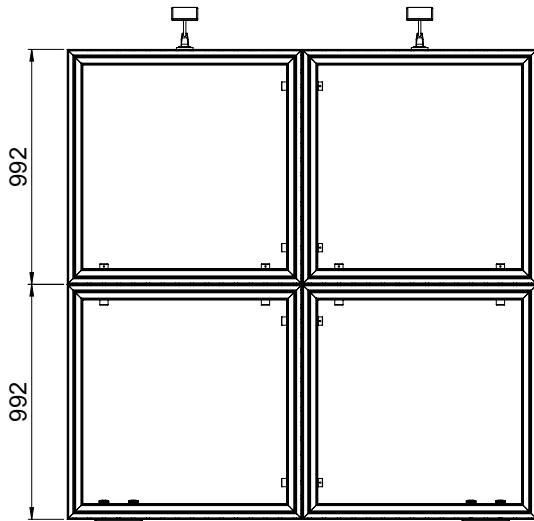
How to work with 55 Frames

Fabric sizes in corners with door:



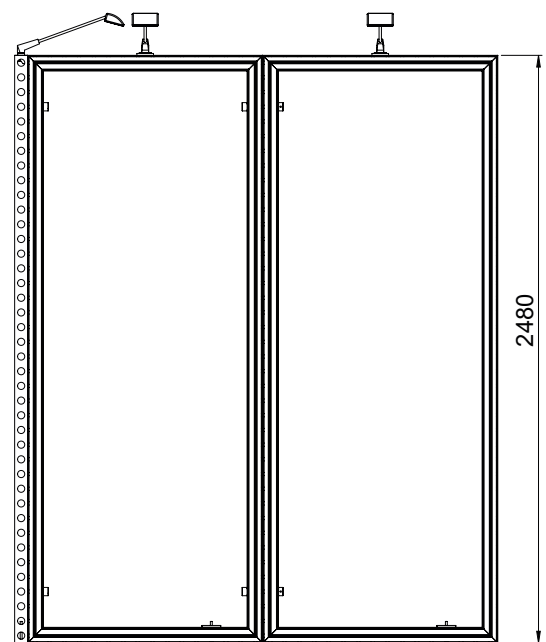
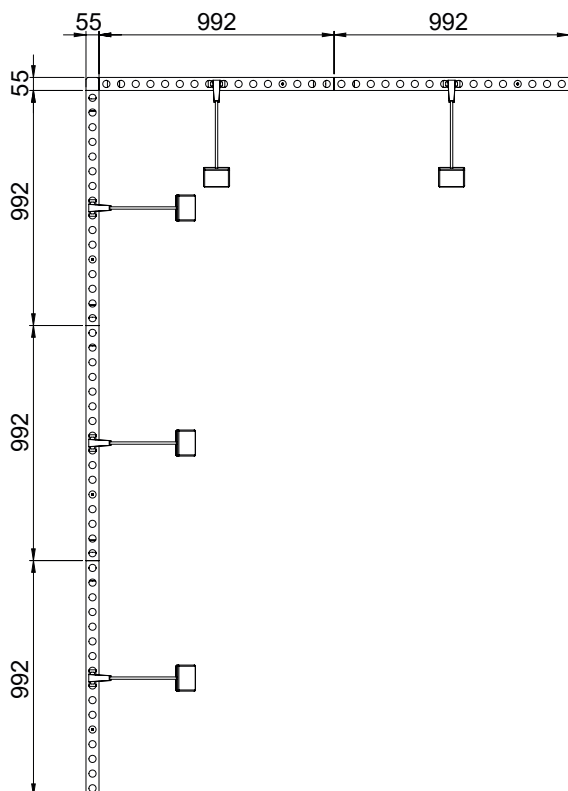
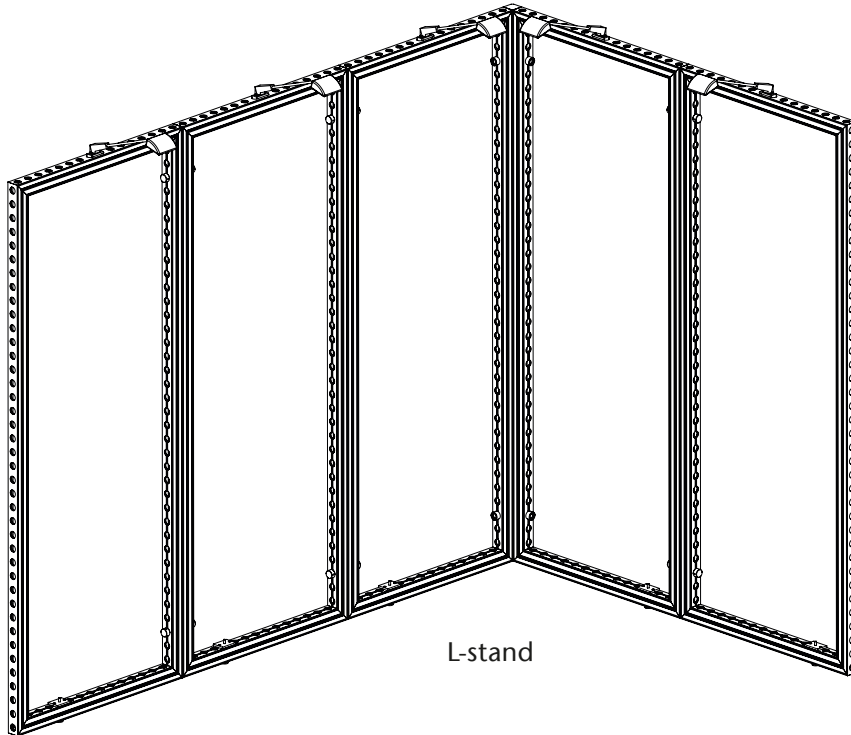
How to work with 55 Frames

Example of construction with 55 Frames:



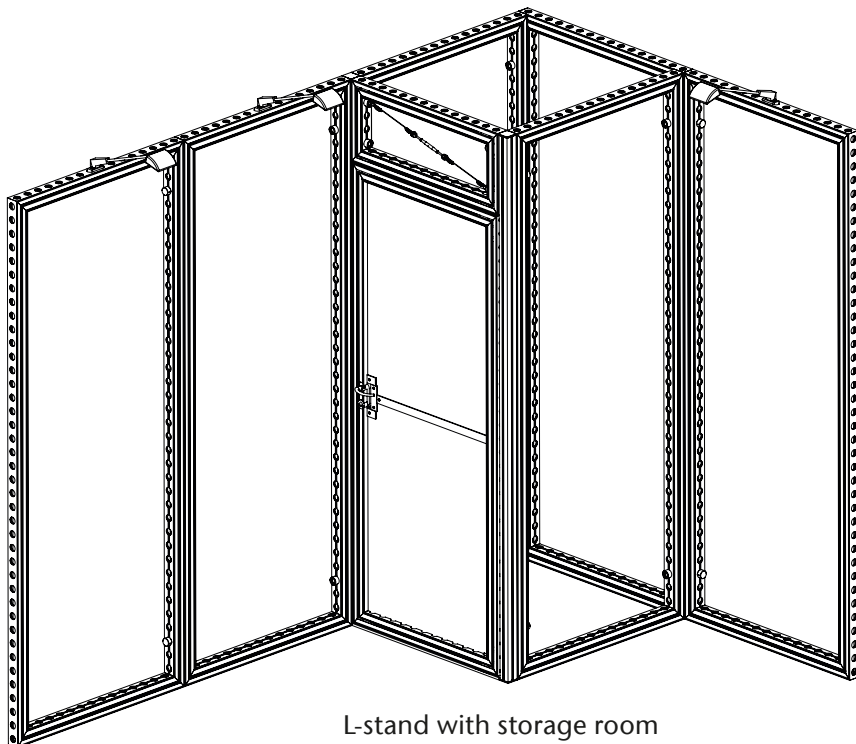
How to work with 55 Frames

Example of construction with 55 Frames:

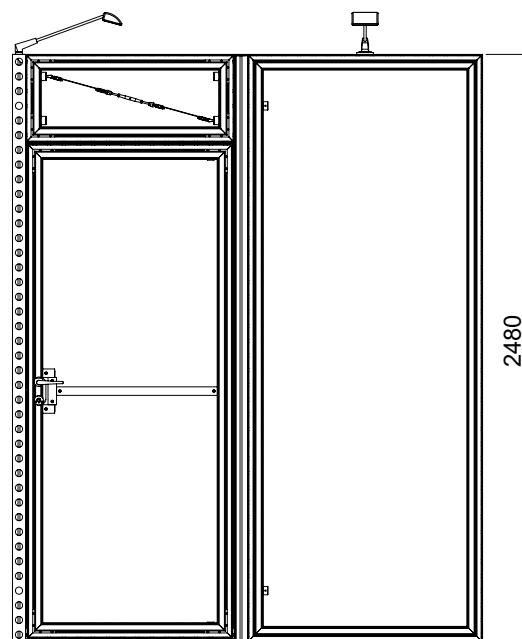
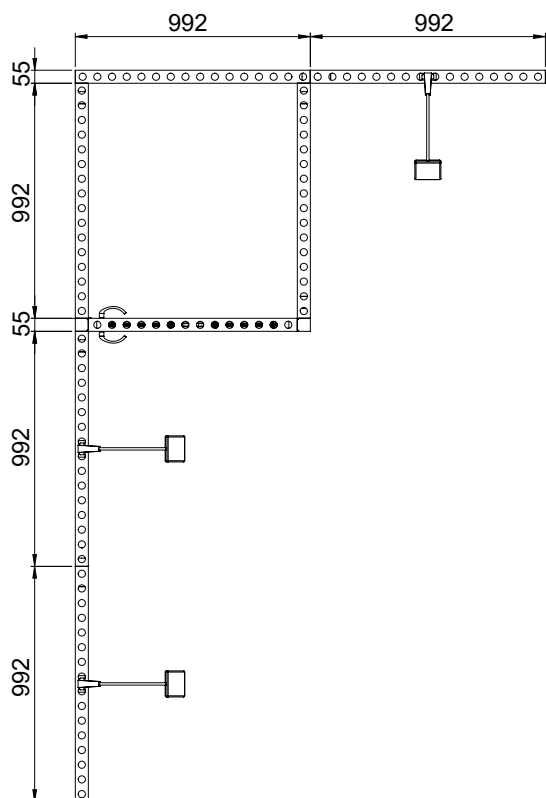


How to work with 55 Frames

Example of construction with 55 Frames:

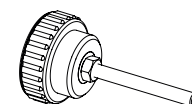
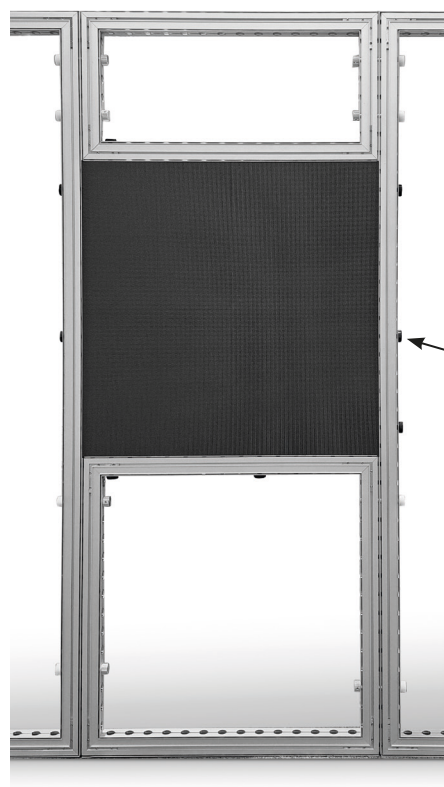
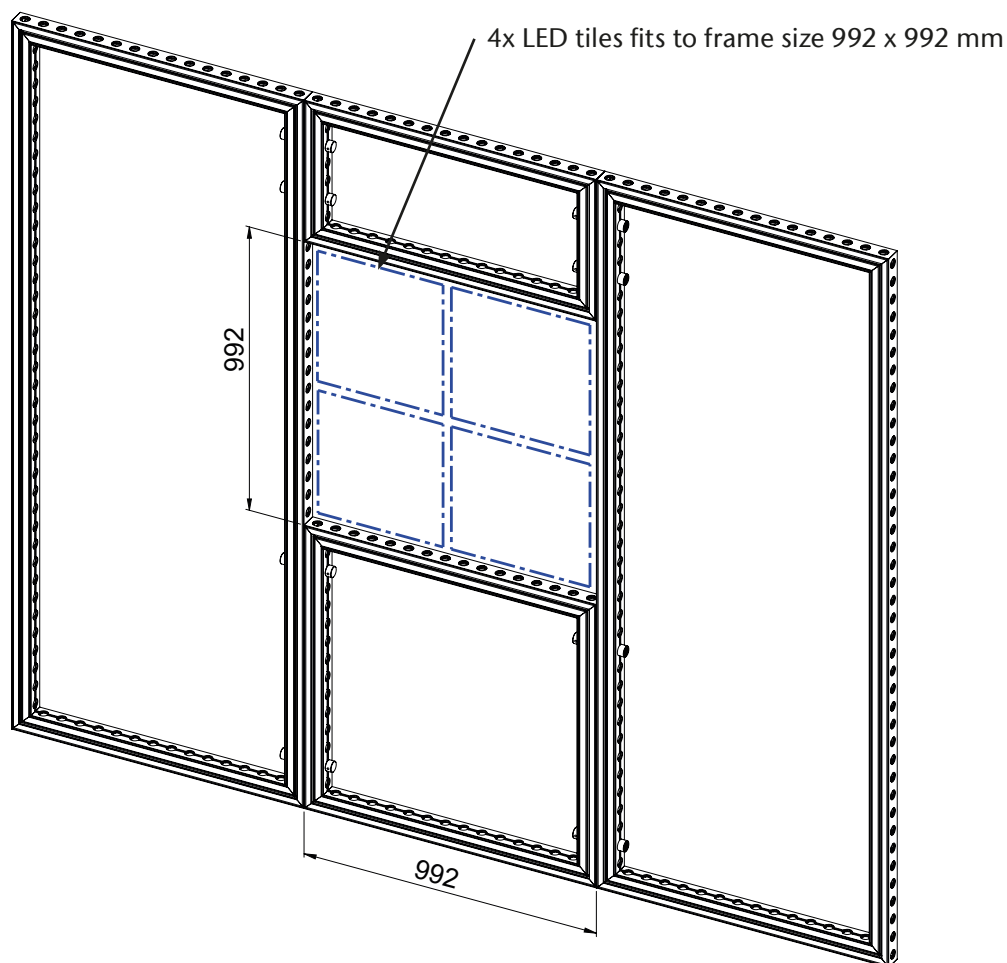


L-stand with storage room



How to work with 55 Frames

55 Frames with LED Tiles:



11055-6 Fixing-Screw

System Standex A/S

Herluf Trolles Vej 140 · DK - 5220 Odense SØ
Phone: +45 66 15 66 15 · Fax: +45 66 15 55 48
info@system-standex.dk · system-standex.dk



**SYSTEM
STANDEX®**